

# Single two-position switch overlay type NP2P



## TECHNICAL DATA :

Rated voltage

250 V

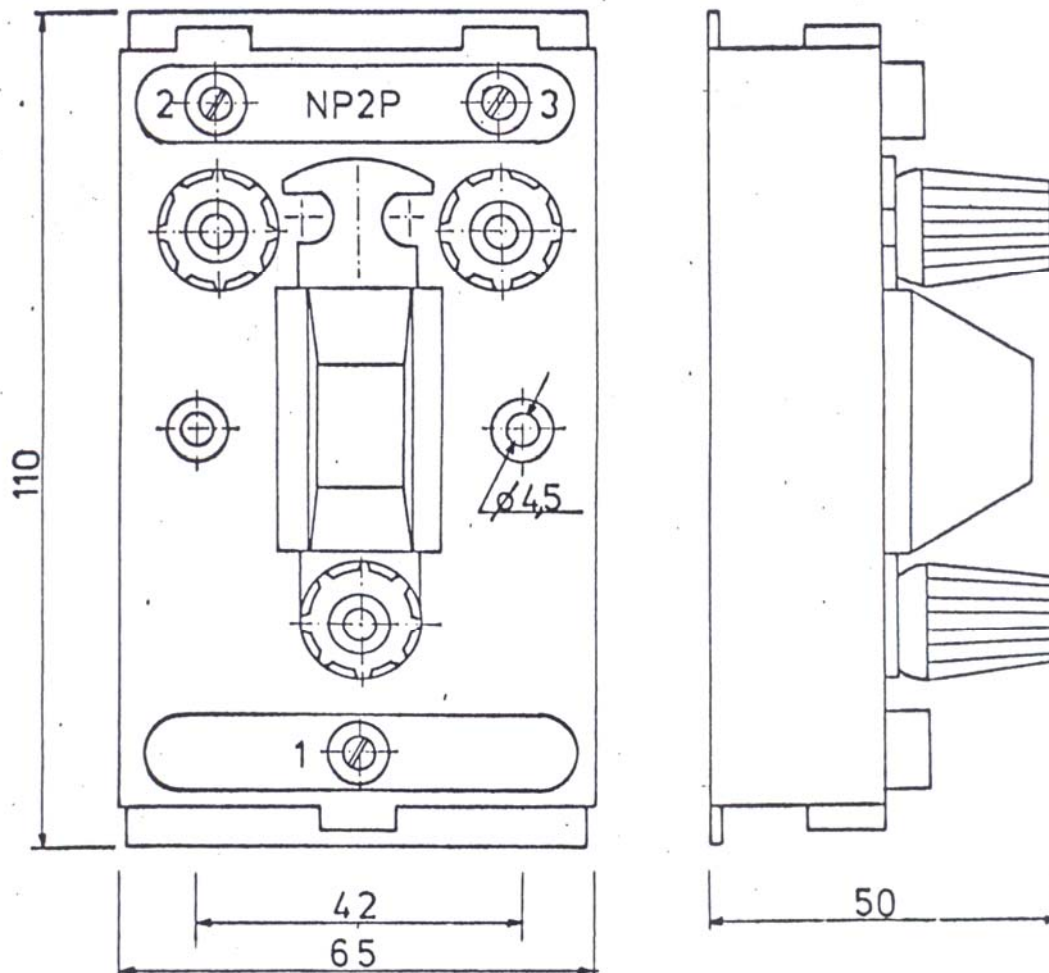
Rated current

10 A

Connectable wires cross-section

wire  $0,5 \div 10 \text{ mm}^2$

cord  $0,5 \div 6 \text{ mm}^2$



## **ELMOR S.A.**

**80-298 Gdańsk, Spadochroniarzy 20 , Poland**

Tel.: +48 (58) 785-36-70, 763-44-88 Management Board

+48 (58) 785-36-77, 762-93-64 Marketing Office

Fax: +48 (58) 762-93-19

e-mail: [elmor@elmor.com.pl](mailto:elmor@elmor.com.pl)

Web: <http://www.elmor.com.pl>